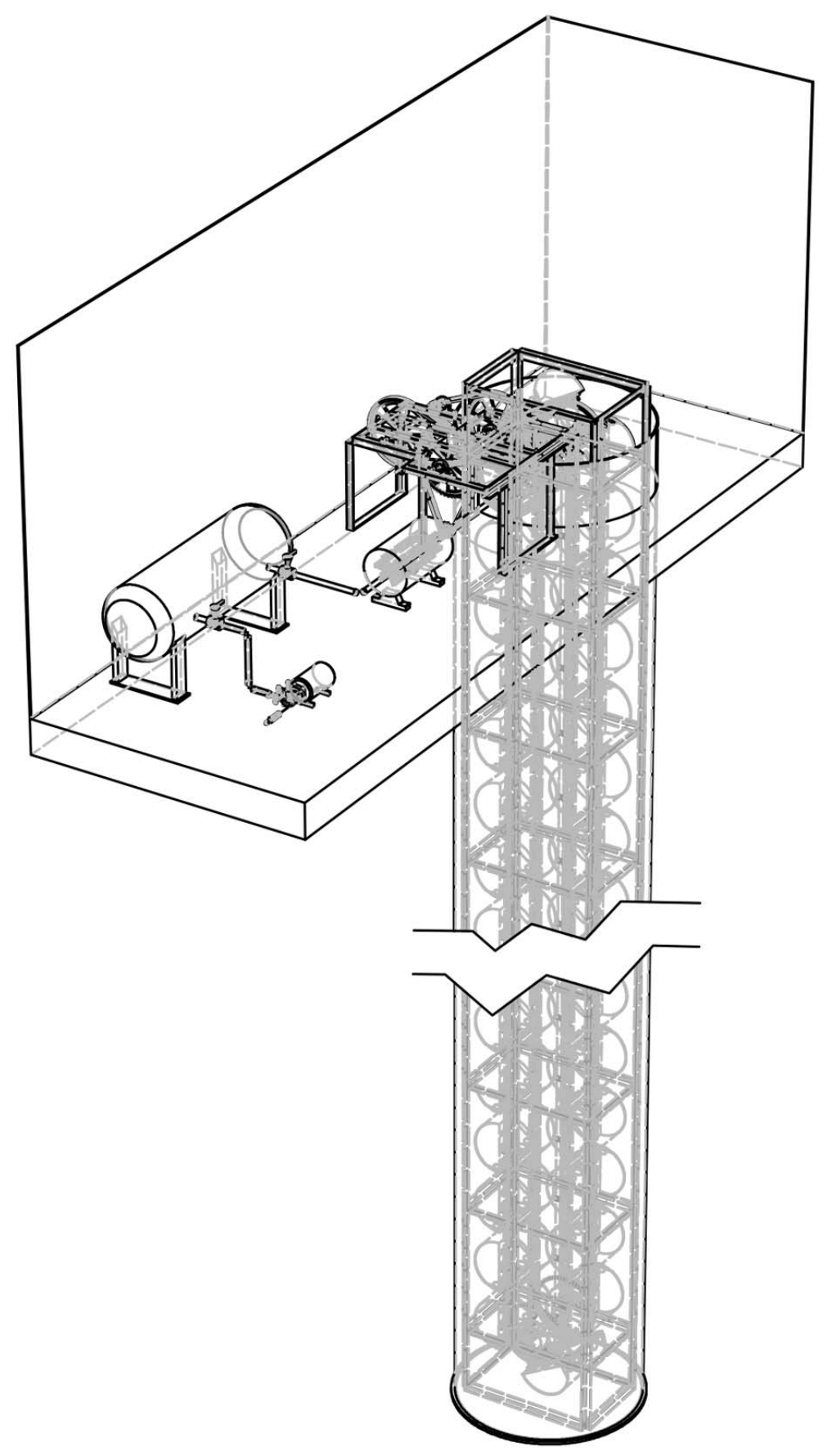
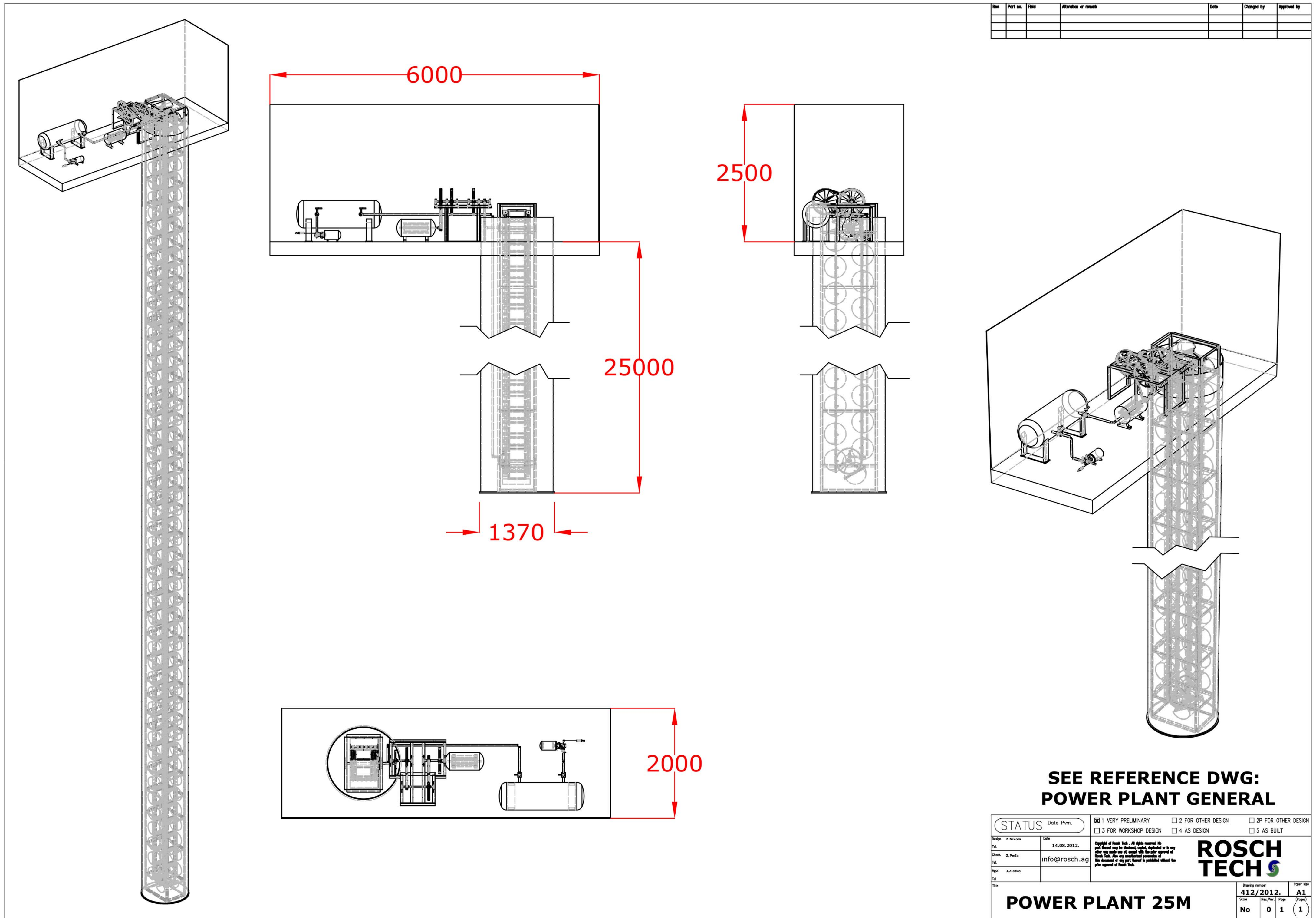


Rev.	Part no.	Field	Alteration or remark	Date	Changed by	Approved by



**SEE REFERENCE DWG:
POWER PLANT GENERAL**

STATUS Date Pvm.		<input checked="" type="checkbox"/> 1 VERY PRELIMINARY	<input type="checkbox"/> 2 FOR OTHER DESIGN	<input type="checkbox"/> 2P FOR OTHER DESIGN
Desgn. Z.Nikola		<input type="checkbox"/> 3 FOR WORKSHOP DESIGN	<input type="checkbox"/> 4 AS DESIGN	<input type="checkbox"/> 5 AS BUILT
Tel. 14.08.2012.		<small>Copyright of Rosch Tech. All rights reserved. No part of this drawing may be reproduced, stored, transmitted or in any other way made use of, except with the prior approval of Rosch Tech. For any unauthorized possession of this document or any part thereof is prohibited without the prior approval of Rosch Tech.</small>		
Check. Z.Poda		ROSCH TECH		
Tel. info@rosch.ag				
Appr. J.Zlatko		Drawing number: 412/2012. Paper size: A1		
Title: POWER PLANT 25M		Scale: No 0 1 (1)		